

14.01.14	03	POOL WIDTH INCRISED	VJ	JS
26.12.13	02	COMMENTS INCORPORATED	VJ	JS
19.12.13	01	ISSUED FOR MANUFACTURING	VJ	JS
22.09.13	00	ISSUED FOR MANUFACTURING	VJ	JS
DATE:	REV.	DESCRIPTION	DWN	CHK

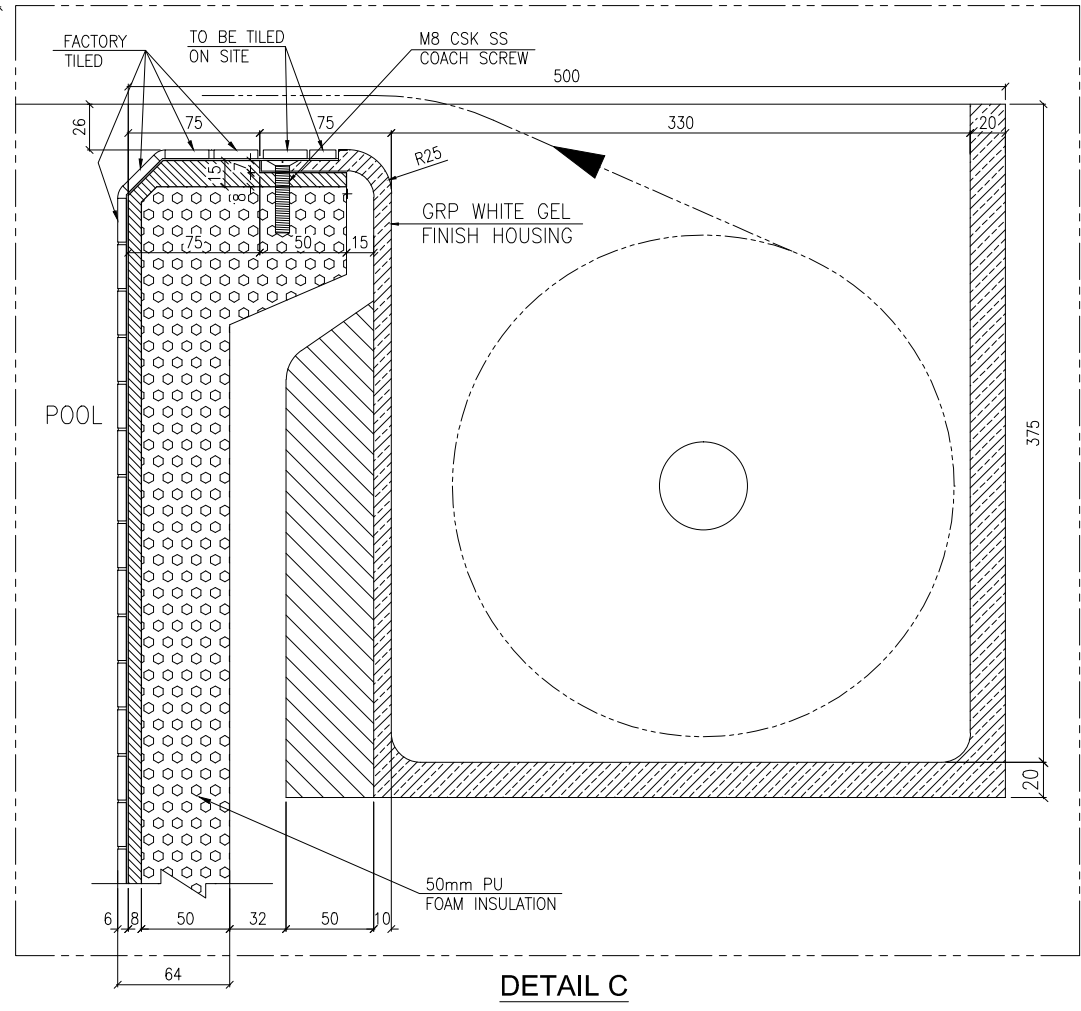
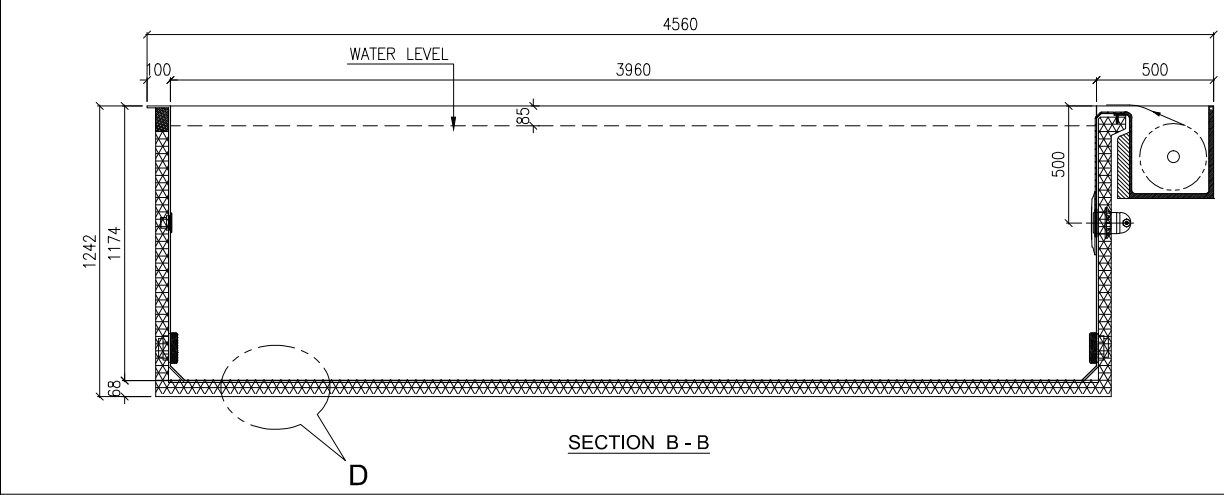
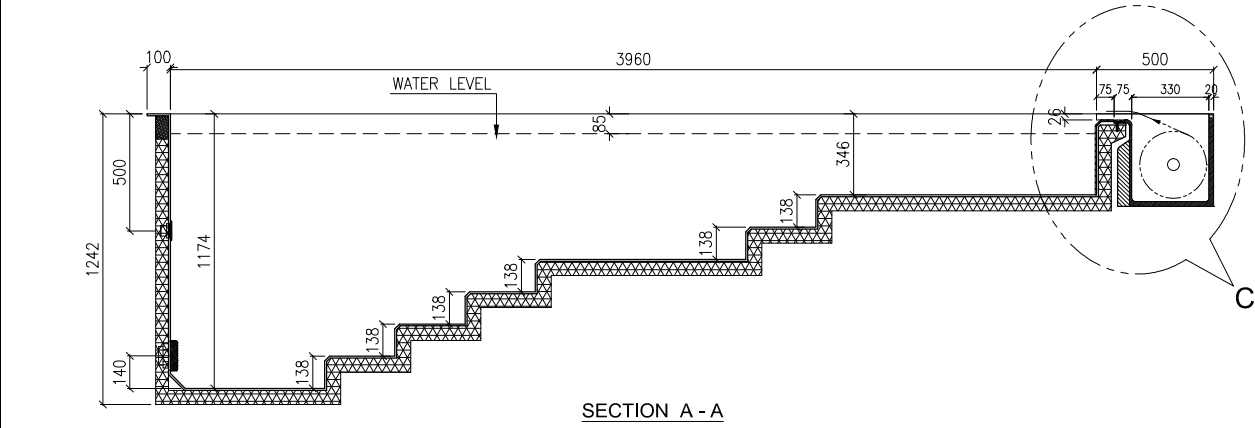
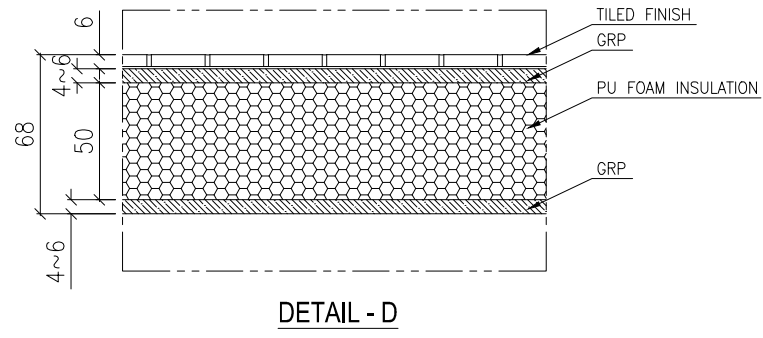
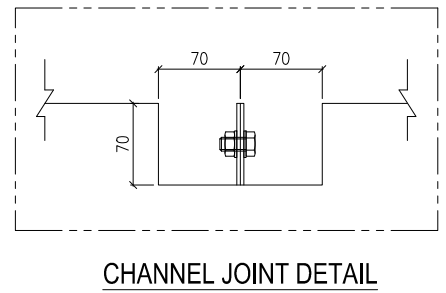
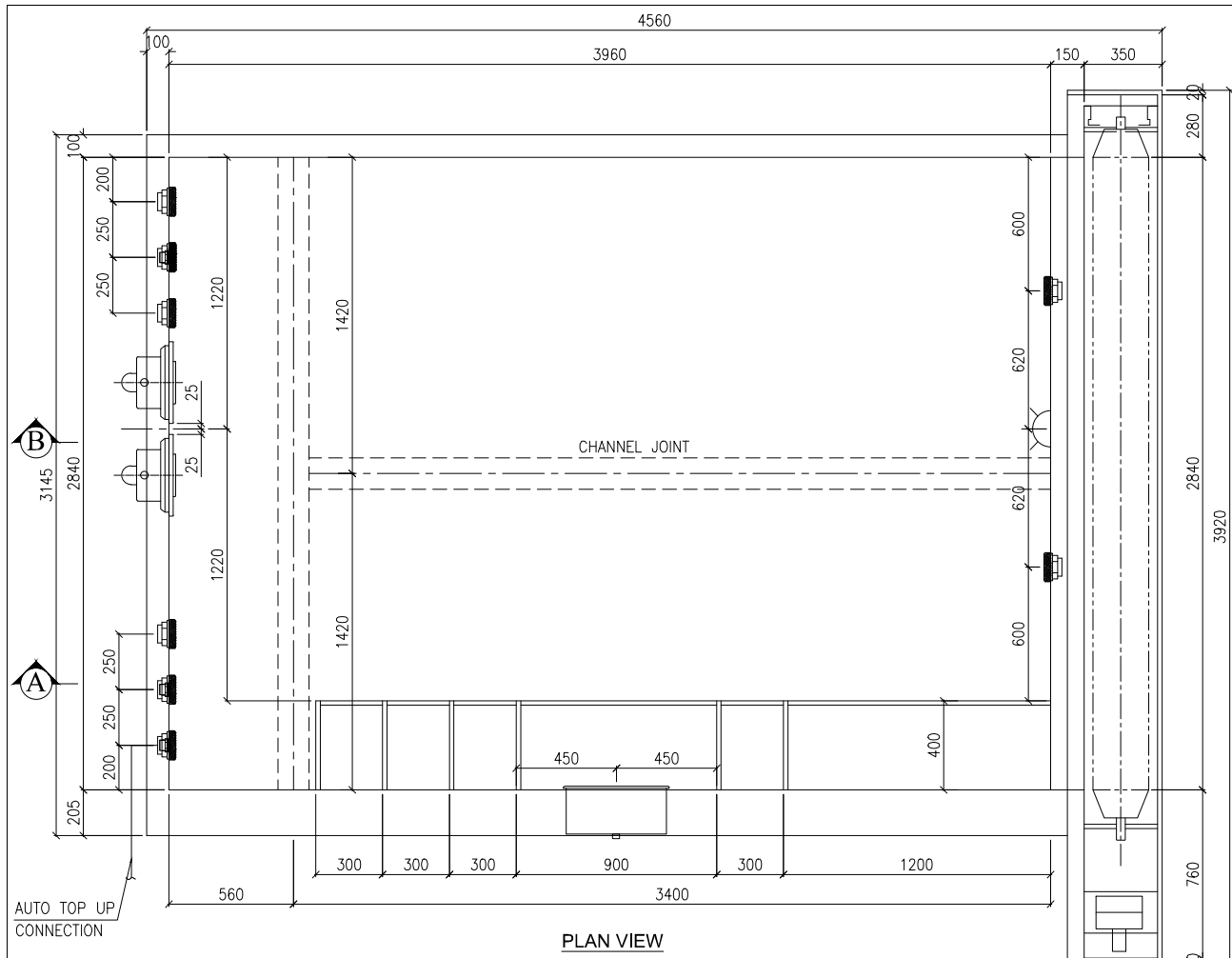
Project:-
AQUARIAN HASKIN



SIGNATURE PRODUCTS

Drawing title:-
SWIMMING POOL
INSTALLATION DETAIL

Scale: AS SHOWN @A3	Drawn: VJ
Date: 22.09.2013	Checked: JE
Drg. No.: SP-RP-001	Rev.: 03



NOTE:-
1) ALL DIMENSIONS ARE IN mm.

LEGEND	POOL FITTINGS	QTY
	WALL INLET	3
	WALL DRAIN	8
	SKIMMER (MAR PISCINE)	1
	UNDER WATER LIGHT 170mm RGB ADAGIO	1
	RIVER JET 210-5100	2
	PU FOAM INSULATION	--

POOL TILING AND GROUT

TILES - BALI GREEN

CHAMFER & STEP - TBC

GROUT - WHITE EPOXY GROUT

SIGN OFF BY -
NAME -
DATE -

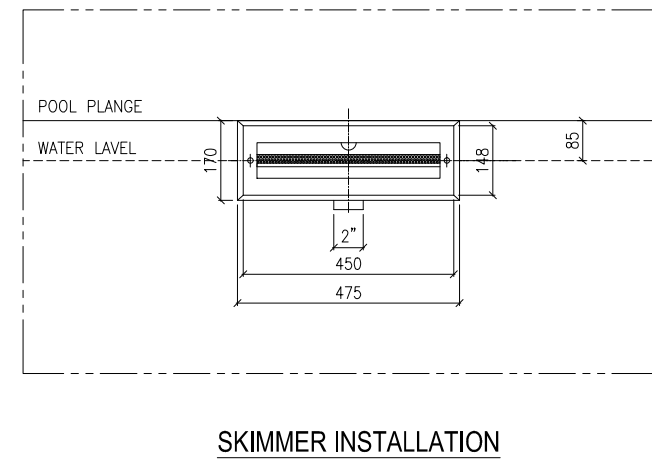
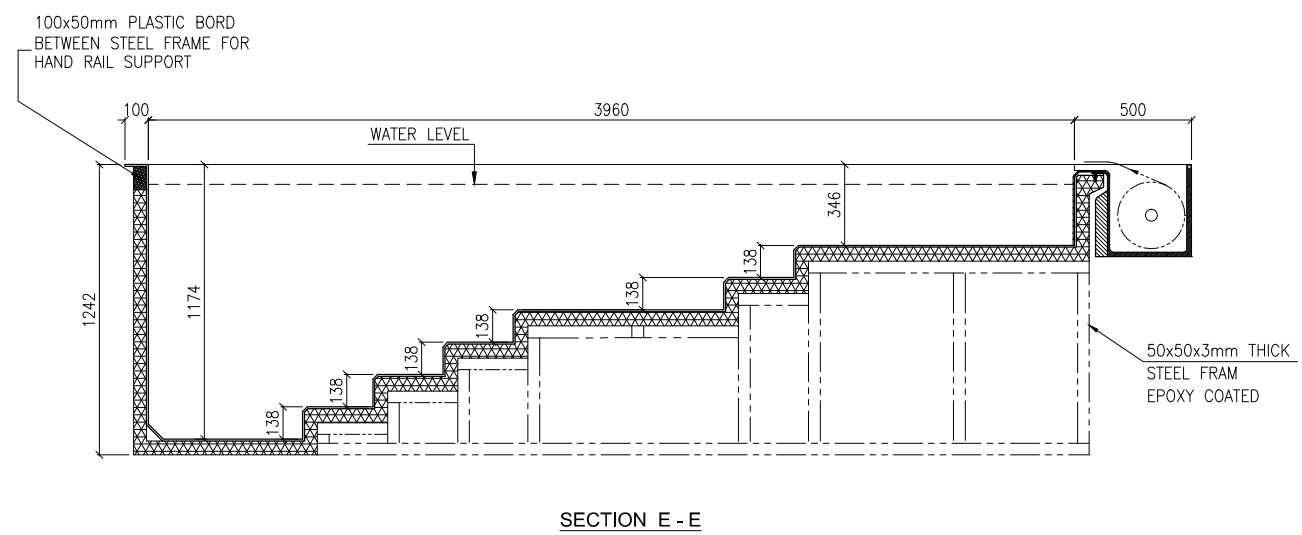
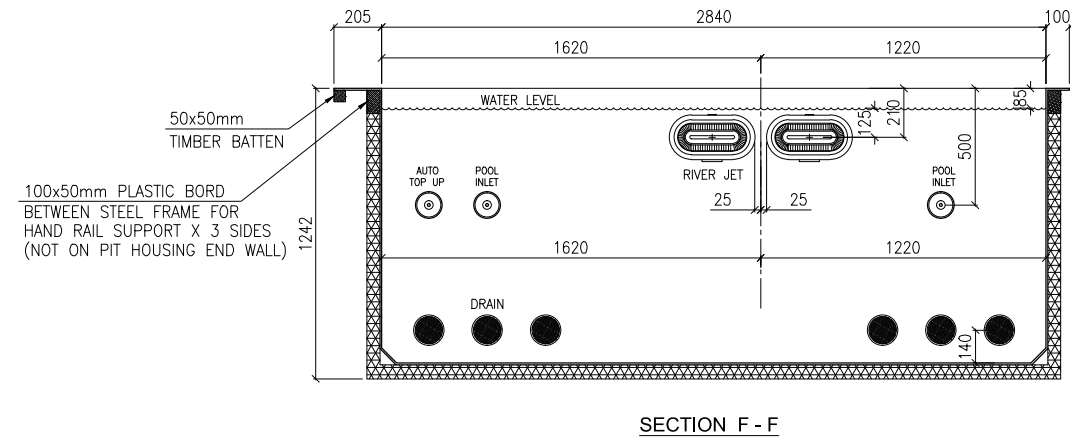
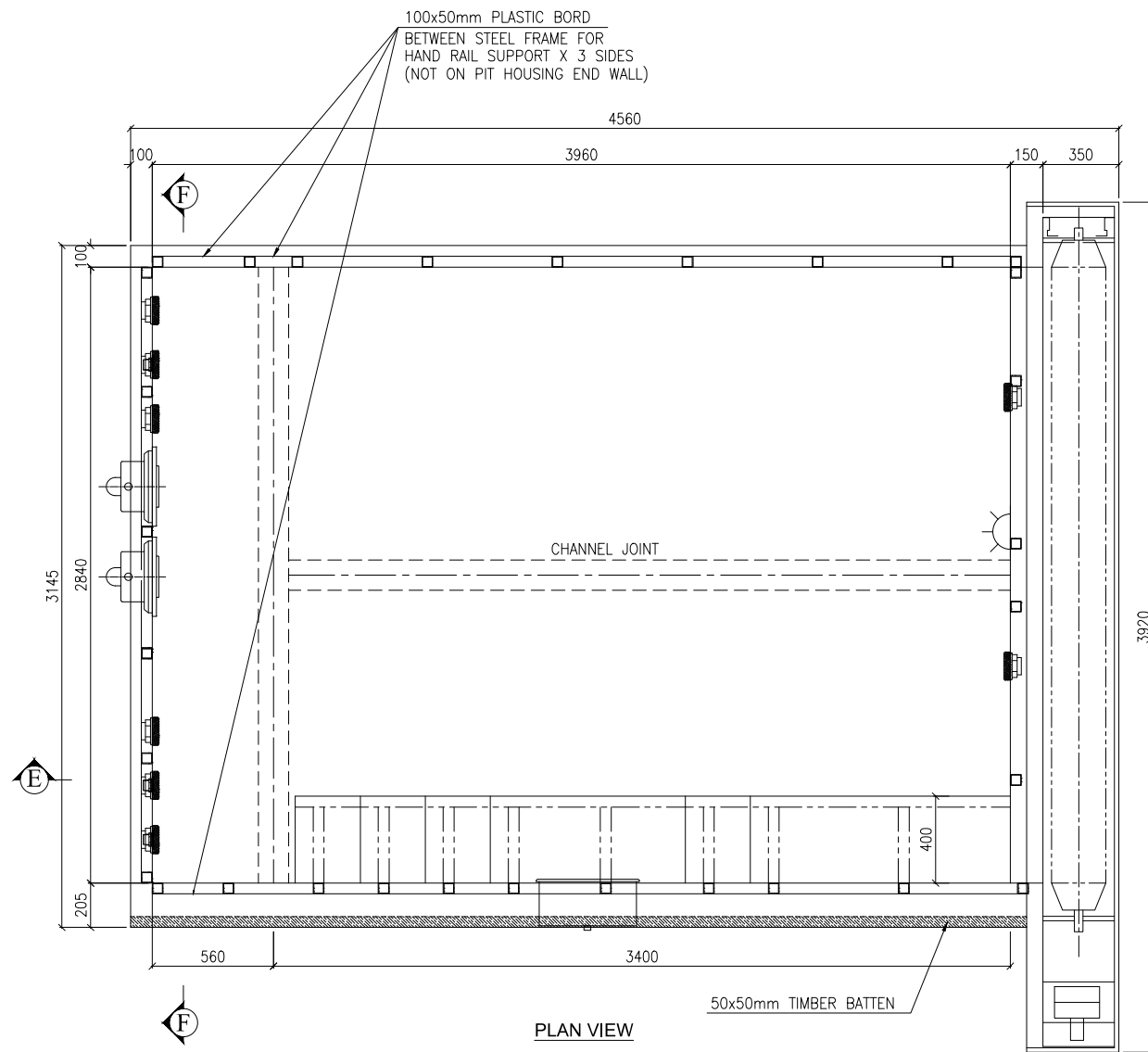
DATE:	REV.	DESCRIPTION	DWN	CHK
14.01.14	05	POOL WIDTH INCRISED	VJ	JE
26.12.13	04	COMMENTS INCORPORATED	VJ	JE
19.12.13	03	ISSUED FOR MANUFACTURING	VJ	JE
16.12.13	02	ISSUED FOR MANUFACTURING	VJ	JE
05.12.13	01	ISSUED FOR MANUFACTURING	VJ	JE
05.11.13	00	ISSUED FOR MANUFACTURING	VJ	JE

Project:-
AQUARIAN HASKIN



Drawing title:-
SWIMMING POOL
PLAN AND SECTION

Scale: VARIES	Drawn: VJ
Date: 05.11.2013	Checked: JE
Drg. No.: SP-RP-002	Rev.: 05



NOTE:-
1) ALL DIMENSIONS ARE IN mm.

14.01.14	04	POOL WIDTH INCRISED	VJ	JE
19.12.13	03	COMMENTS INCORPORATED	VJ	JE
19.12.13	02	ISSUED FOR MANUFACTURING	VJ	JE
12.12.13	01	ISSUED FOR MANUFACTURING	VJ	JE
12.12.13	00	ISSUED FOR MANUFACTURING	VJ	JE
DATE:	REV.	DESCRIPTION	DWN	CHK

Project:-
AQUARIAN HASKIN



Drawing title:-
SWIMMING POOL
PLAN AND SECTION

Scale: AS SHOWN @A3	Drawn: VJ
Date: 12.12.2013	Checked: JE
Drg. No.: SP-RP-003	Rev.: 04